

Face Plates

Eland Product Group **A8D**



Application

A face plate holds the modules and covers the back box. Blanks are available to fit into the face plates where a cable is not inserted to prevent dust entering the back box.

Technical Data

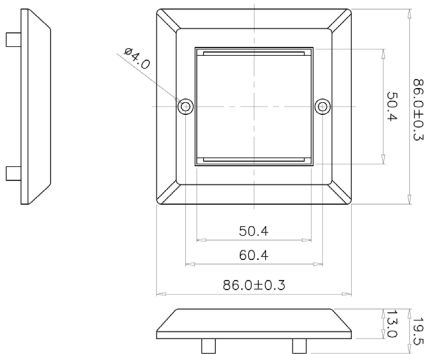
Colour
White

Supplied with
2 mounting screws

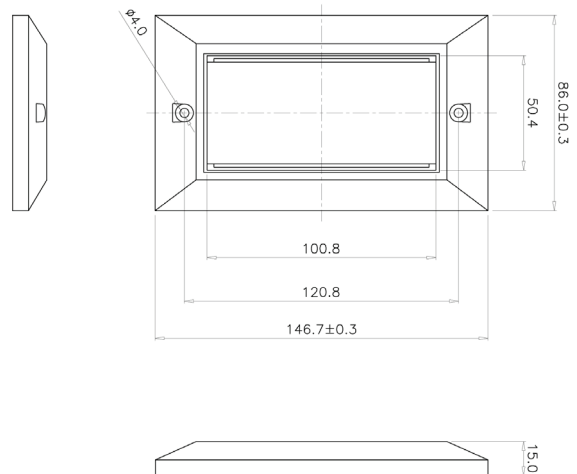
Description

Eland Part Number	Description
A8D-BSFP-05050	Single Gang Bevelled Face Plate 50mm x 50mm
A8D-BDFP-10050	Double Gang Bevelled Face Plate 100mm x 50mm

Dimensions



Single Gang



Double Gang

The information contained within this datasheet is for guidance only – actual cable dimensions should be considered before making final selection as these may vary due to manufacturing tolerances.